

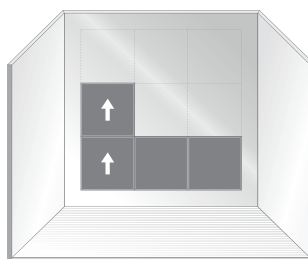
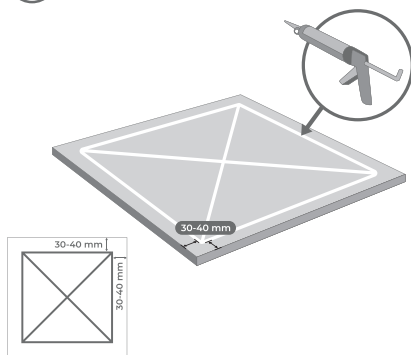


## INSTRUCTIONS OF USE

Ensure a smooth, clean, dry strong surface before installation.

Avoid surfaces which are sensitive to moisture or water. The surface, the panels and the glue must be at a temperature of 10-25°C. Before use, the product must be unpacked and placed in the installation area at least 24 hours to allow it to acclimate to the humidity conditions of the environment (recommended humidity conditions 30-40%). Panel size may vary depending on environmental conditions changes.

In order to assemble WAYNERR® panels please use the assembly glue on the back side of the panel (not provided in the packaging). It is sufficient to place 6-8 lines of the glue using the glue pistol. For best results, begin installation at the bottom corner of the wall and proceed horizontally before moving upward. Apply the panel on the wall, firmly press and hold for 5-10 seconds and release. Ensure precise alignment so that each panel connects seamlessly with the next one.



In case of doubt or uncertainty, an adhesion test should be carried out prior to the installation. Please contact your WAYNERR® representative.





## PRODUCT AND MATERIAL OFFCUT RETURNS FOR RECYCLING

At Waynerr, we are committed to sustainability and responsible recycling practices. We welcome the return of our products and their offcuts to our factory for recycling, provided the return is made voluntarily and at the sender's own shipping expense.

### RETURN ADDRESS:

Aconitum Swiss Sàrl  
Rue Scheffer 6,  
2853 Courfaivre  
Switzerland

### To ensure efficient recycling, please follow these guidelines:

Offcuts and products must be sorted strictly by material type:

- SAND PANELS
- RECYCLED GLASS PANELS
- DEKOR PANELS (must also be sorted by color)

No contaminants or mixed materials are allowed in the return shipments.

Returns that do not meet these criteria may be refused or disposed of without recycling. Thank you for supporting our circular approach to material use. If you have any questions, please contact us at: [info@waynerr.ch](mailto:info@waynerr.ch)

